

# Toyota DSP Amplifier Activator

## Purpose

- Activation of Toyota DSP audio amplifier in case of replaced head-unit;
- Interface between unbalanced Line Out of head-unit and balanced Line IN of Amplifier.

## Wiring

<b>Red:</b>	Power +12 V (ACC)
<b>Black:</b>	Power GND
<b>Green:</b>	AVC-LAN "TX +"
<b>Grey:</b>	AVC-LAN "TX -"
<b>Red RCA:</b>	Audio Line IN "Right"
<b>Black RCA:</b>	Audio Line IN "Left"
<b>Orange:</b>	Balanced Line Out "Right +"
<b>Blue:</b>	Balanced Line Out "Right -"
<b>Yellow:</b>	Balanced Line Out "Left +"
<b>Brown:</b>	Balanced Line Out "Left -"

## Pinout (connection variants)

- "Female" connector on cable at **Head-Unit** site (for all models):

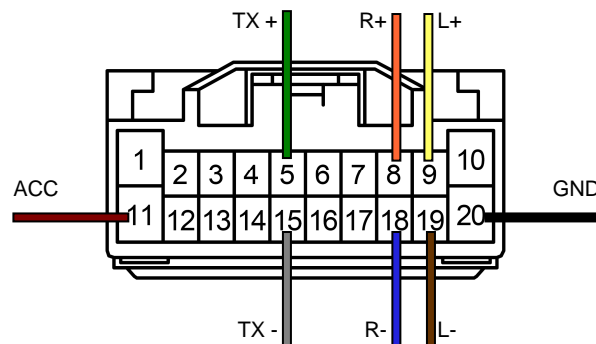


Fig. 1

- "Female" connectors on cable at **Amplifier** site:

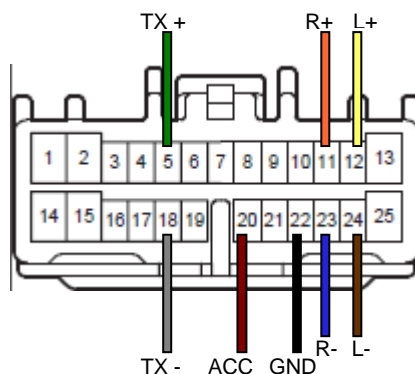


Fig. 2 LandCruiser 100/120, Lexus RX300 (2003-2009)

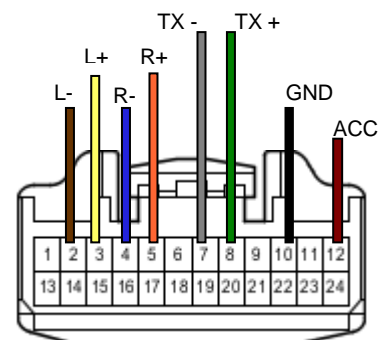


Fig. 3 LandCruiser 150, Tundra (2009- ...)