

SYSTEM **diECi**

DSK 130 **120 Watt**

Technical Specifications

Component	2 way system	
Size	DV 130 woofer	130 mm (5 ^{1/4})
	DT 16 tweeter	15 mm (19/32")
Power Handling (Watt)	peak	120
	continuous program	60
Impedance	Ohm	4
Frequency response	Hz	60-21k
Sensitivity	dB/SPL	91
Outer diameter	mm	130
Mounting hole diameter	mm	119
Magnet size	mm	70
Total depth	mm	56
Mounting depth	mm	52
Weight of one component	kg	0,555
Woofer voice coil diameter	mm	25

DV 130 Electro-Acoustic Parameters

D	mm	104
Xmax	mm	2
Re	ohm	3,2
Fs	Hz	65
Le	mH@1kHz	0,56
Le	mH@10kHz	0,17
Vas	lit	8,76
Cms	mm/N	0,94
Mms	gr	6,3
BL	T-m	3,61
Qts		0,59
Qes		0,63
Qms		8,96
Spl (1m/2,83V)	dB	91



DT 16

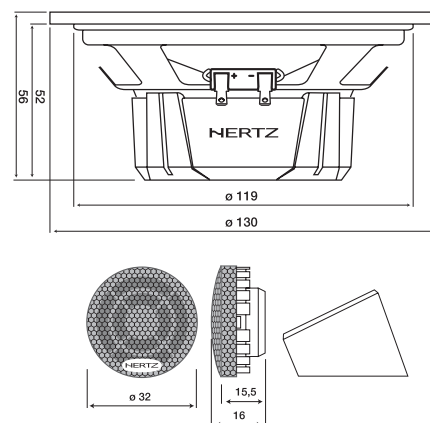
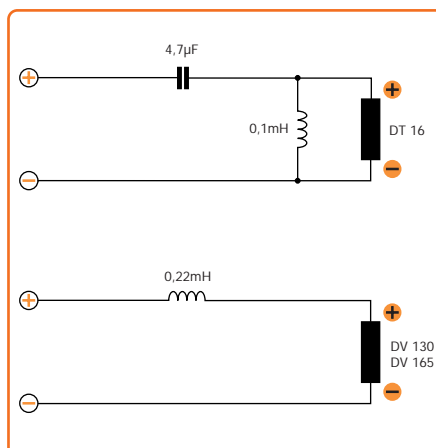
- 1 Mylar dome tweeter.
- 2 15mm ø, ultra-light ferrofluid-cooled mobile voice coil.
- 3 High energy neodymium magnet.
- 4 Support with accessories for external or embedded mounting.

DV 130

- 1 Low carbon content plates for maximum magnetic permeability and high heat dissipation.
- 2 Large motor assembly for mobile voice coil control.
- 3 Pure copper voice coil, wound on paper former, for maximum lightness.
- 4 Copper-covered central pole; it provides extremely linear impedance and allows to easily drive the speaker.
- 5 Water-repellent treated paper cone.
- 6 "V" cone, for best off-axis response, clear mid-high frequency detail and powerful bass.
- 7 DIN size basket protected by abrasion-proof dust paint.
- 8 Gold-plated, high current terminals.
- 9 Silver-plated lead wires for maximum reliability and conductivity.
- 10 High density rubber surround, glued with heat-resistant adhesive.
- 11 Foam surround, glued with heat-resistant adhesive.
- 12 Butyl rubber protective ring, against crashes and abrasions.
- 13 Epoxy glue for basket and motor system perfect coupling.

*Grille included

DX 200 / DX 100



dieci

The Dieci Line represents a new performance landmark in its category. Hertz aimed at obtaining high efficiency, maximum tonal quality and high grade tonal accuracy.

The speaker cones and voice coil formers are made of a special natural paper mixture. Foam surrounds and cotton spiders ensure mechanical reliability and optimal control even under high excursion conditions. The large motor allows tight control of the loudspeaker moving assembly for tight, dynamic output.

The Dieci line is the perfect speaker choice for factory OEM upgrades, direct head power or with high quality amplifiers.

Start the right way: with the first step into the Hertz world.

Thanks to the inverted phase plug and to the very light Mylar membrane, the **DT 16 TWEETER** manages to have the same technical and acoustical benefits of a conventional dome membrane component.

Compact **SIZE**



DIECI WOOFER cone is totally new: the pressed paper V-cone ensures maximum linearity and wide sound dispersion.

DIECI WOOFERS were designed for easy installations in OEM factory speaker locations and are optimized for unique acoustics found in the automotive environment.



The low-loss crossovers, provided with the coaxial and component systems, do not alter the original musical signal, always providing clear, powerful, undistorted sound.

DIECI COAX are provided with Neodimium magnet tweeter featuring built-in crossover for bursting dynamics and DIN size gasket for an easy installation in whatever factory locations.



DIECI SUBWOOFERS provide very high efficiency, as well as superior power handling. The pure copper voice coils are wound on aluminium formers, providing good thermal and mechanical capacity. The vented hole on the bottom plate allows better thermal dissipation and linear excursion.



The **DBX 250** enclosure is made of multi-layer laminated Plywood. The Xponential Flanged Duct ensures maximum linearity of the airflow, providing tight, dynamic bass. The angled rear wall allows easy installation and ensures diffusion of the rear wave for resonance-free performance.

